

AFTERCARE INSTRUCTIONS

Excessive exposure to water will deteriorate the furniture. Wipe away any water splashes or condensation after use.

All bathrooms should be well ventilated, if needed, with a suitable extractor fan.

Clean with a soft damp cloth only.

Use a wax free polish if one must be used.

For removal of lime scale deposits use a suitable cleaner.

CUSTOMER SERVICE

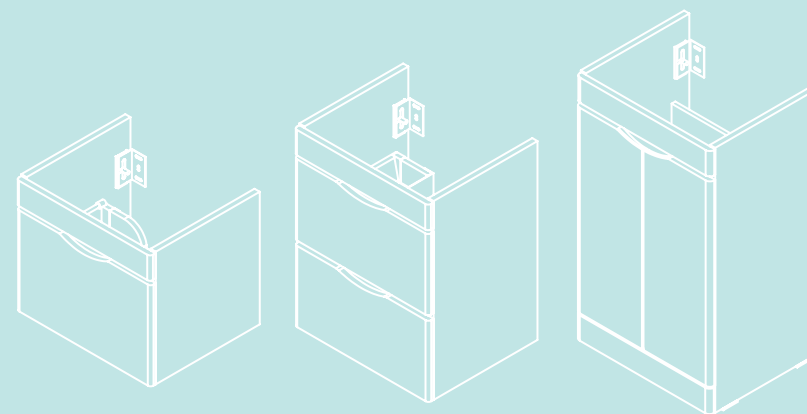
t: +44(0)208 686 5100
e: technical@saneux.com

4 Imperial Way
Croydon CR0 4RR

www.saneux.com

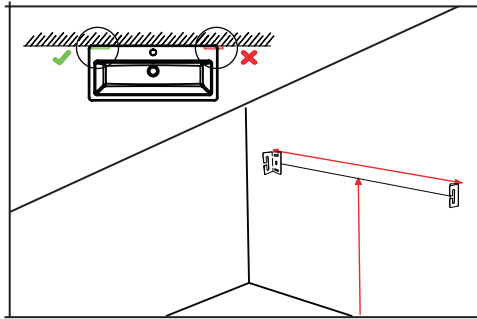
INDIGO

INSTALLATION INSTRUCTIONS



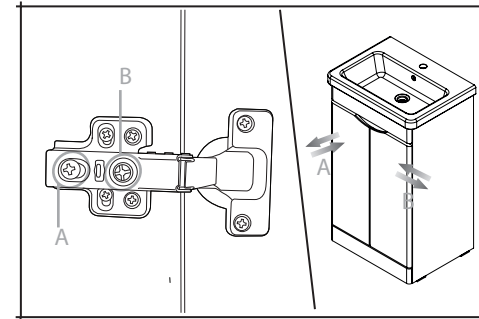
INDIGO 1 Drawer: 50 - 60 - 80 - 100cm
INDIGO 2 Drawer: 50 - 60 - 80 - 100cm
INDIGO 2 Door: 50 - 60cm

saneux



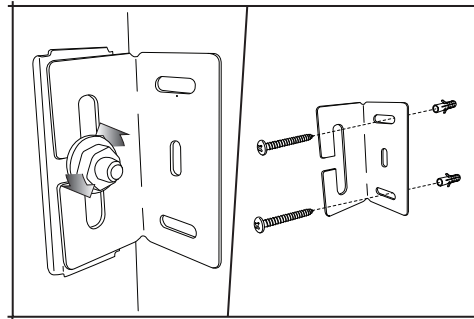
Furniture Installation.

Mark the location of both mounting plates, ensure that they are positioned inside the sidewalls of the unit. The recommended height for the unit including basin is 900mm.

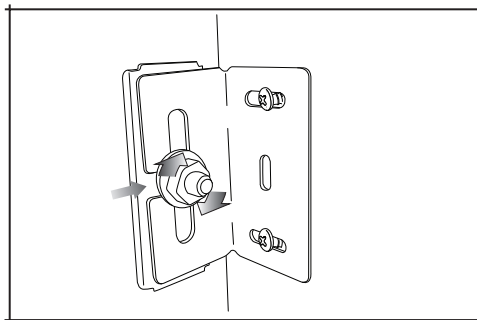
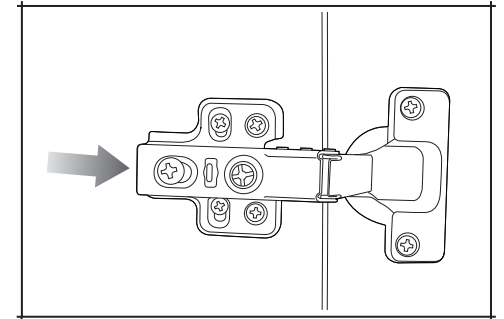


Two door units can be adjusted by the screws on the door hinges.
Turn screw A to adjust the depth of the door.
Turn screw B to adjust the width of the door.

Unscrew the mounting plates which come pre-fixed to the unit. For each mounting plate drill two holes in the marked positions using a 8mm drill bit to a depth of 55mm



To remove the doors simply open the door and press the button at the back of both hinges.



Locate the plates on the inside walls of the unit onto the wall mounting plates. Secure the unit to the wall by tightening the screw. Use a spirit level to ensure the unit is balanced horizontally.

Once the wall mounted unit has been secured to the wall, use a silicone sealant to secure the basin to the unit and prevent any water ingress.

